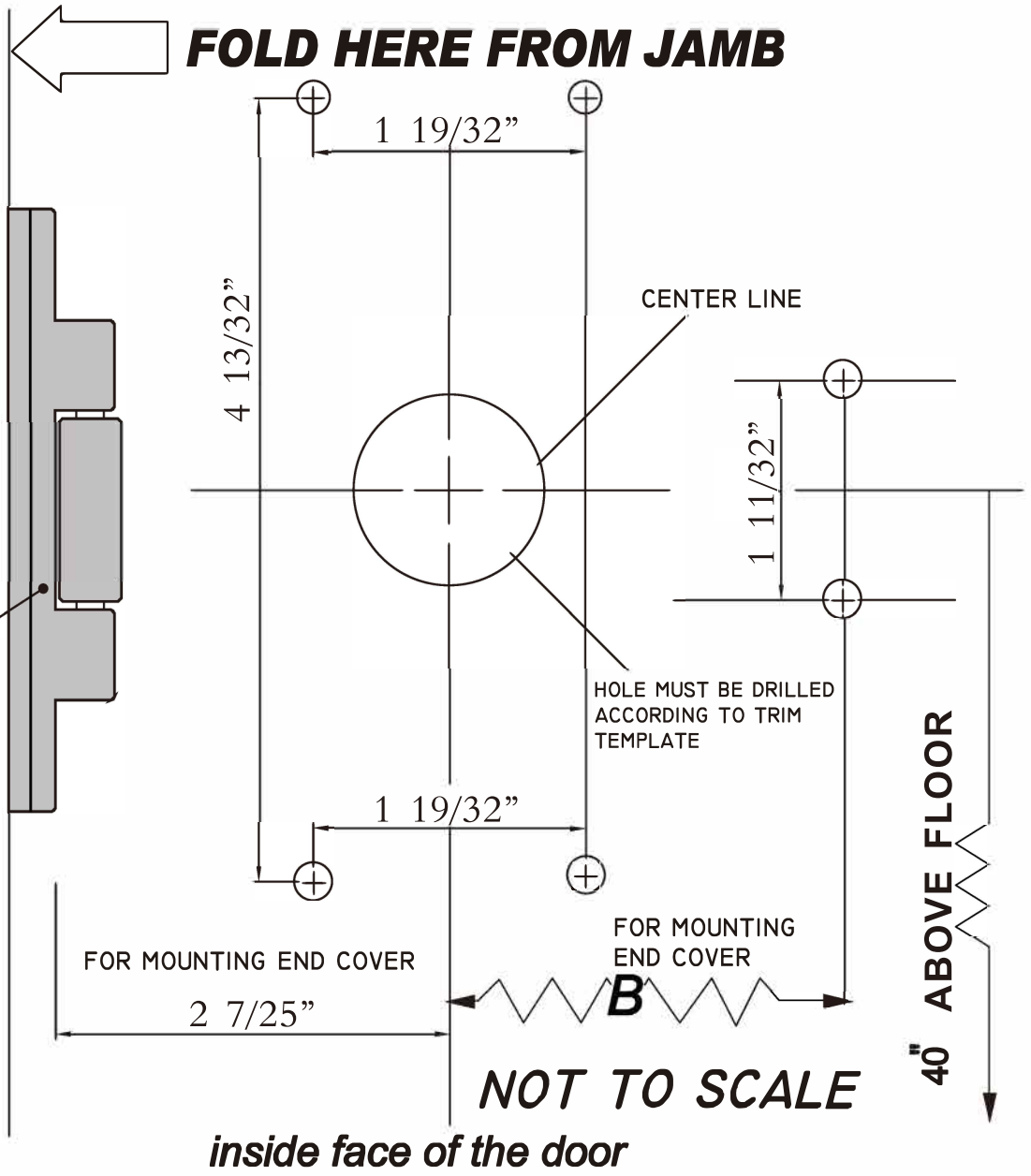
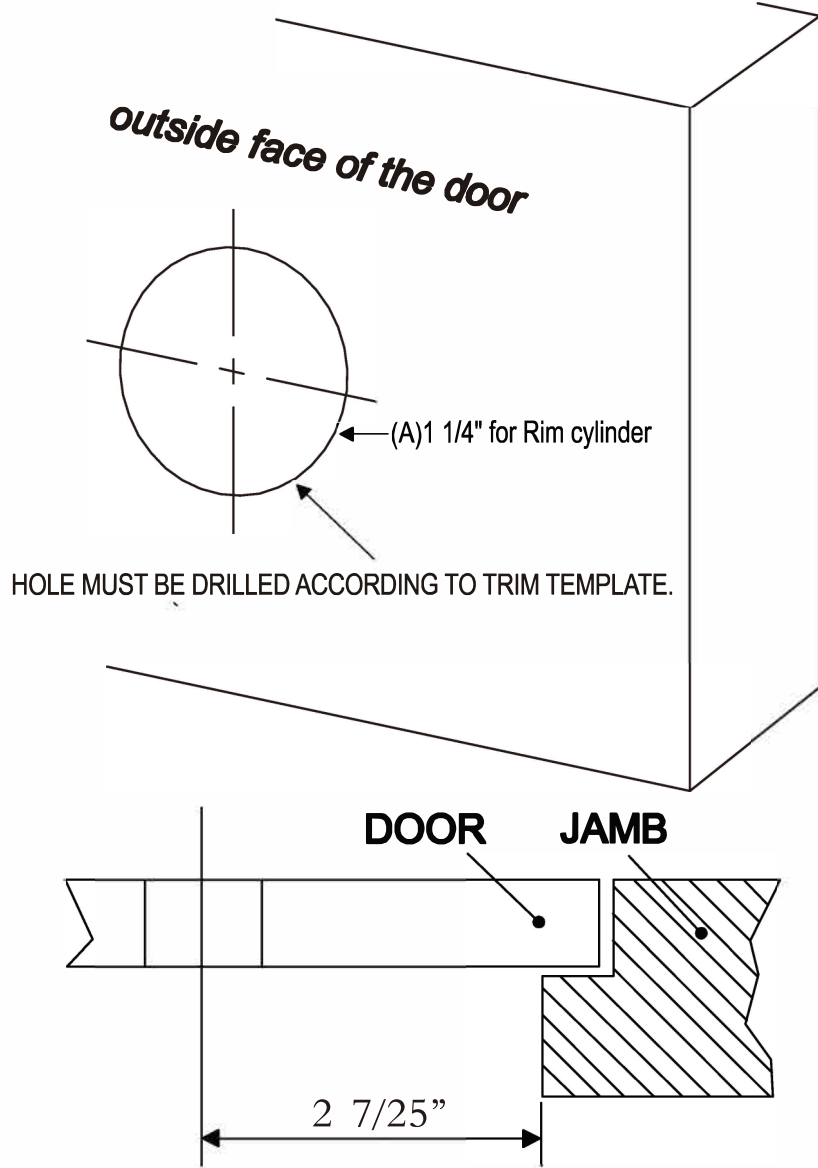


TEMPLATE FOR INSTALLING PANIC EXIT DEVICE



(A) For T341H07 Series (UL Listed)-Drill & tap for (6) 1/4" x 20 machine screws for Exit Device and Drill & tap for (3) 1/4" x 20 machine screws for Roller Strike.
OPTIONAL for T341H07 (UL Listed)

(B) For T341H06 (Fire Rated)-Drill 9/32" holes inside and 3/8" holes outside for the (6) thru bolts and Drill & tap for (3) 1/4" x 20 machine screws for Roller Strike.