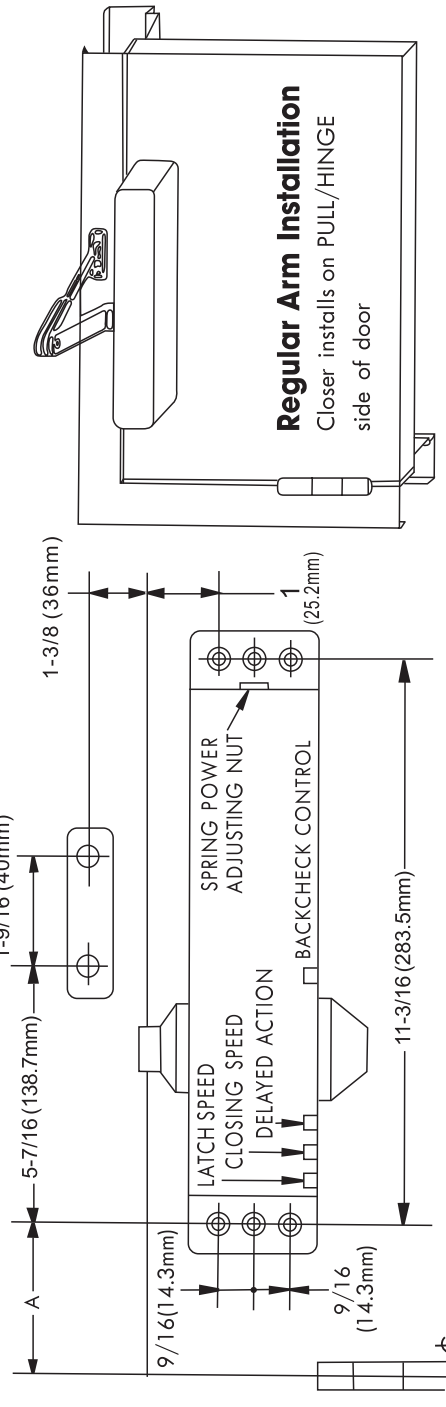


Top View Typical Installation

INSTALLATION INSTRUCTIONS

1. Select degree of opening from table and use template dimensions shown in above, mark six (6) holes on door for door closer and two (2) holes on frame for arm shoe.
2. Drill pilot holes in door and frame for #14 all-purpose screws or drill and tap for 1/4-20 machine screws.
3. Install adjustable forearm/arm shoe assembly to door using screws provided.
4. Install main arm to top pinion shaft using screw provided.
5. Mount closer on door using screws provided. SPRING POWER ADJUSTING NUT MUST BE POSITIONED AWAY FROM HINGE EDGE.
6. Adjust length of adjustable forearm so that adjustable forearm is perpendicular to frame when assembled to preloaded main arm (illustration below). Secure forearm to main arm with screw provided.
7. Snap pinion cap over shaft at bottom of closer. (When using full cover, pinion cap is not necessary)
8. Adjust closing speed, back check control and spring power of door, following instructions as shown page 4.

OPENING	DIM. A
To 120°	7-3/32(1.80mm)
120°-180°	3-15/16(1.00mm)



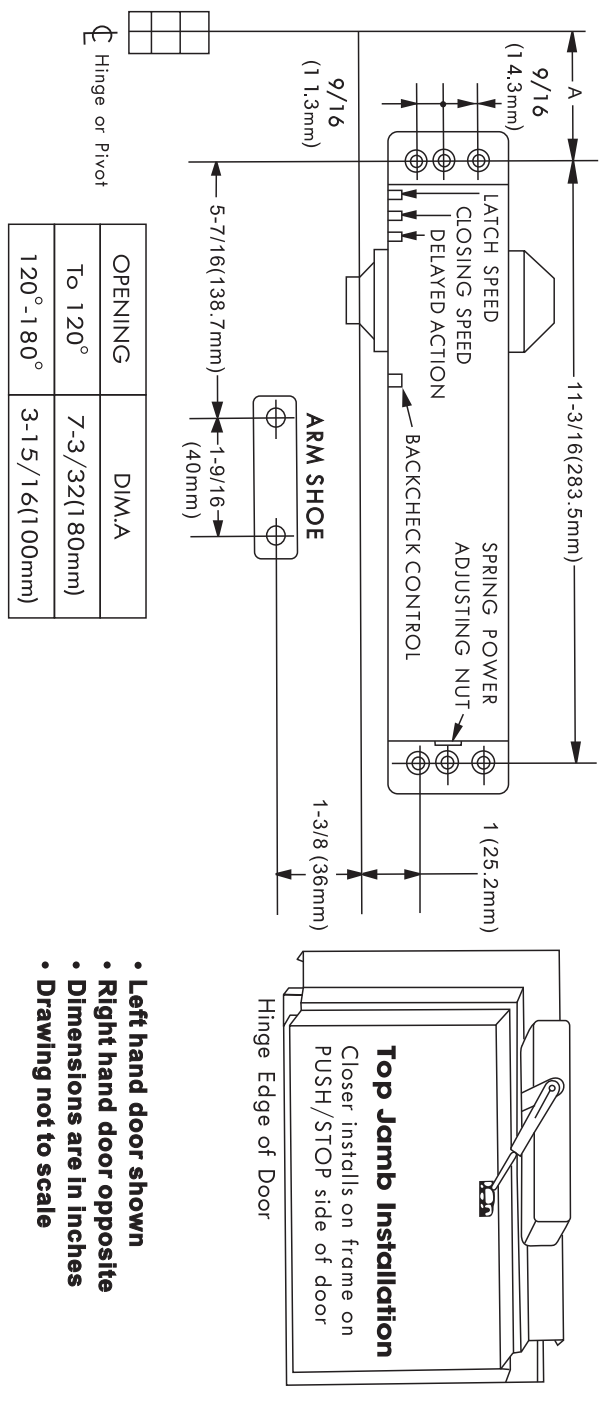
Installation Instructions for REGULAR ARM (PULL SIDE) Mounting

- Power adjustable 1 to 6
- Surface Mounted
- Adjustable & Preset "Back-Check"
- No Hold-Open/Hold-Open
- Optional Delay Action

- Right hand door shown
- Left hand door opposite
- Dimensions are in inches
- Drawing not to scale

- Power adjustable 1 to 6
- Surface Mounted
- Adjustable & Preset "Back-Check"
- No Hold-Open/Hold-Open
- Optional Delay Action

Installation Instructions for TOP JAMB (PUSH SIDE) Mounting

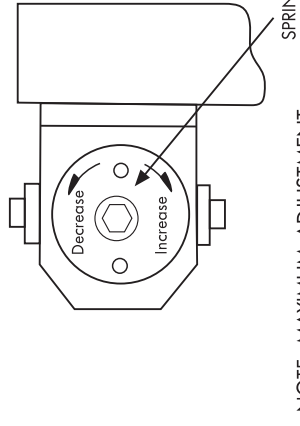
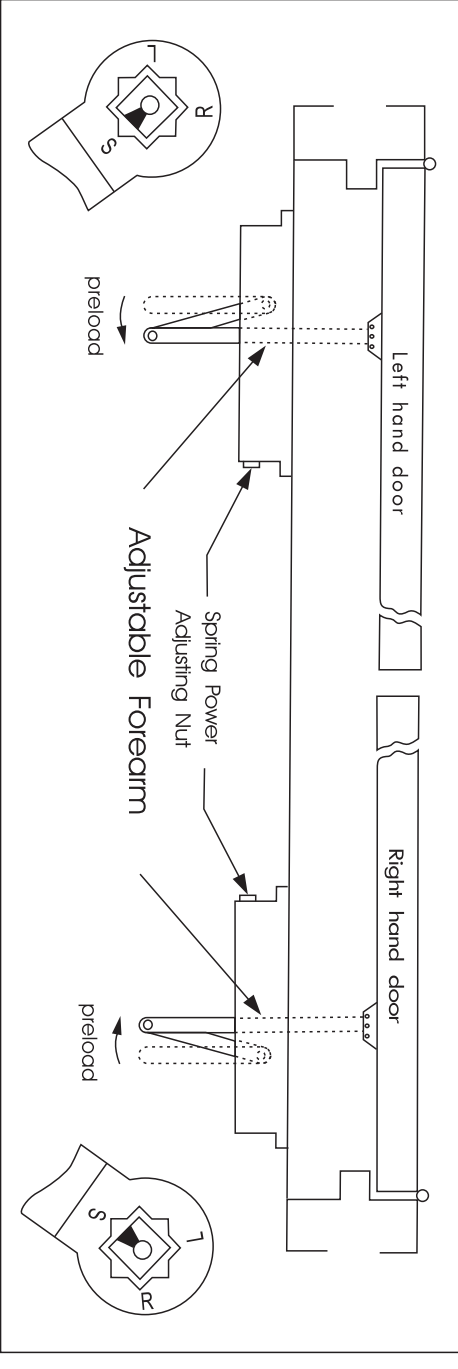


- Left hand door shown
- Right hand door opposite
- Dimensions are in inches
- Drawing not to scale

INSTALLATION INSTRUCTIONS

1. Select degree of opening from table and use template dimensions shown in above, mark SIX(6) HOLES ON FRAME for closer and TWO(2) HOLES ON DOOR for arm shoe.
2. Drill pilot holes in door and frame for #14 all-purpose screws of drill and tap for 1/4-20 machine screws.
3. Install adjustable forearm/arm shoe assembly to door using screws provided.
4. Install main arm to top pinion shaft using screw provided.
5. Mount closer body on frame using screw provided. SPRING POWER ADJUSTING NUT MUST BE POSITIONED AWAY FROM HINGE EDGE.
6. Adjust length of adjustable forearm so that adjustable forearm is perpendicular to door when assembled to preloaded main arm (illustration below). Secure forearm to main arm with screw provided.
7. Snap pinion cap over shaft on top of closer. (When using full cover, pinion cap is not necessary)
8. Adjust closing speed, back check control and spring power of door, following instructions as shown page 4.

Top View Typical Installation



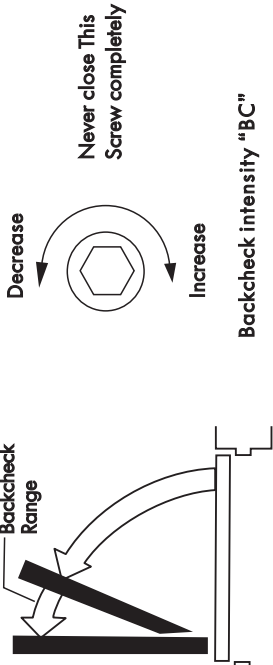
NOTE: MAXIMUM ADJUSTMENT IS APPROXIMATELY 10 TURNS. DO NOT FORCIBLY EXTEND ADJUSTMENT BEYOND LIMITS.

ADJUSTABLE SPRING MODELS

DOOR CLOSER SIZE	CLOCKWISE TURNS OF ADJUSTING NUT	APPLICABLE DOOR LEAF WIDTH		APPLICABLE DOOR LEAF WEIGHT
		INTERIOR (SPRING OUT)	EXTERIOR (SPRING IN)	
1	-5	32" (0.81m)	28" (0.71m)	39~88 LBS (15~30kg)
2	-3	36" (0.91m)	32" (0.81m)	66~99 LBS (30~45kg)
3	0	42" (1.07m)	36" (0.91m)	99~143 LBS (45~65kg)
4	3	48" (1.22m)	42" (1.07m)	143~187 LBS (65~86kg)
5	6	54" (1.37m)	48" (1.22m)	187~264 LBS (85~120kg)
6	9	58" (1.47m)	54" (1.37m)	264~330 LBS (120~150kg)

* -3 MEANS 3 TURNS TO ANTI-CLOCKWISE

HOW TO ADJUST SPRING POWER
BE NOTED THAT 900 SERIES ARE SET DOWN AS DOOR CLOSER SIZE 3 FROM THE FACTORY. EX SIZE 2 CLOSER CAN BE MADE BY ROTATING SPRING ADJUSTING NUT ANTI-CLOCK WISE 3 TURNS BECAUSE IT WAS SET DOWN AS SIZE 3 FROM THE FACTORY. ORIGINALLY. ALSO IN A. SAME WAY. SIZE 1 CLOSER CAN BE MADE BY ROTATING SPRING ADJUSTING NUT CLOCK WISE 3 TURNS.



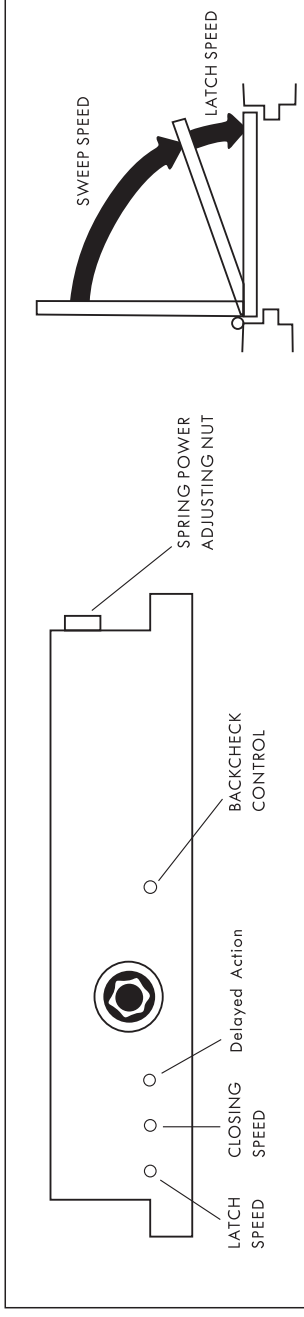
OPENING CYCLE

BACK CHECK CONTROL

- To increase back check intensity, turn back check control valve clockwise.
- To decrease back check intensity, turn back check control valve anticlockwise.

SPRING POWER CONTROL

- To increase opening force and closing force, turn the spring adjusting nut clockwise.
- To decrease opening force and closing force, turn the spring adjusting nut anticlockwise.



CAUTION Do not turn speed adjusting valve more than two(2) full turns counter-clockwise from its factory set position, as two speed adjusting valves could become dislodged from the door closer body, resulting in the loss of internal fluid and failure of the device.

CLOSING CYCLE
NOTE: Closing arc "C", "CLOSE", and "LATCH" are controlled by two(2) separate speed adjusting valves adjust the CLOSING speed first, then adjust the LATCHING speed.

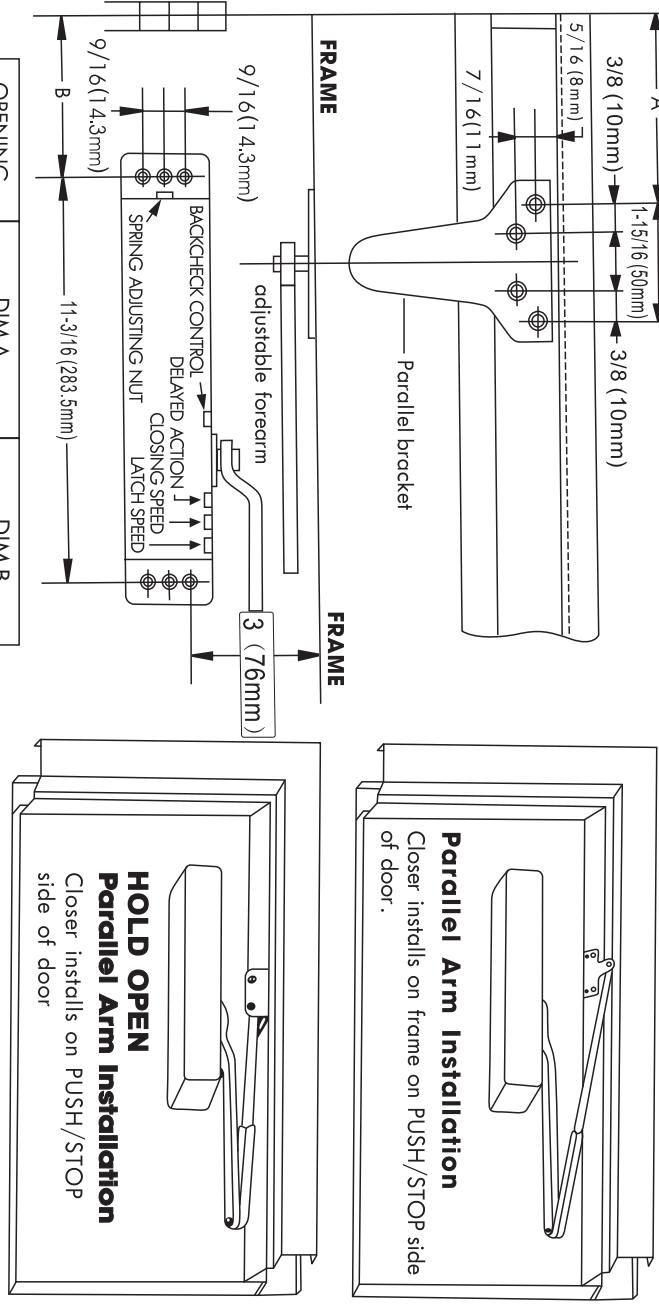
CLOSING CYCLE

- Power adjustable 1 to 6
- Surface Mounted
- Adjustable & Preset "Back-Check"
- No Hold-Open/Hold-Open
- Optional Delay Action

CLOSER ADJUSTMENT

- Power adjustable 1 to 6
- Surface Mounted
- Adjustable & Preset "Back-Check"
- No Hold-Open/Hold-Open
- Optional Delay Action

Installation Instructions for PARALLEL ARM (PUSH SIDE) Mounting



OPENING	DIM.A	DIM.B
To 120°	9-1/2 (241.5mm)	6-1/8 (156mm)
120°-180°	5-7/8 (149.7mm)	2-9/16 (65mm)

INSTALLATION INSTRUCTIONS

1. Select degree of opening from table and use template dimensions shown in above, mark six(6) holes on door for door closer and four(4) holes underside of frame for bracket.
2. Drill pilot holes in door and frame for #14 all-purpose screws of drill and tap for 1/4-20 machine screws.
3. Mount closer on door using screws provided. SPRING POWER ADJUSTING NUT MUST BE POSITIONED TOWARD HINGE EDGE.
4. Install Parallel Arm Bracket to frame using screws provided.
5. Using a wrench on the square shaft at bottom of closer, rotate shaft approximately 45° toward hinge edge of door. Hold and place main arm of shaft on top of closer. Index mark as illustrated. FOR LEFT HAND DOOR "L" (illustration "A"), FOR RIGHT HAND DOOR "R" (illustration "B"). Tighten arm screw with lockwasher securely.
6. Remove arm shoe from the forearm and discard/arm shoe is not used for parallel installation) and tighten screw securely.
7. Adjust length of adjustable forearm so that adjustable forearm is parallel to frame.
8. Snap pinion cap over shaft at bottom of closer. (When using full cover, pinion cap is not necessary)
9. Adjust closing speed, back check control and spring power of door, following instructions as shown page 4.

Top View Typical Installation

