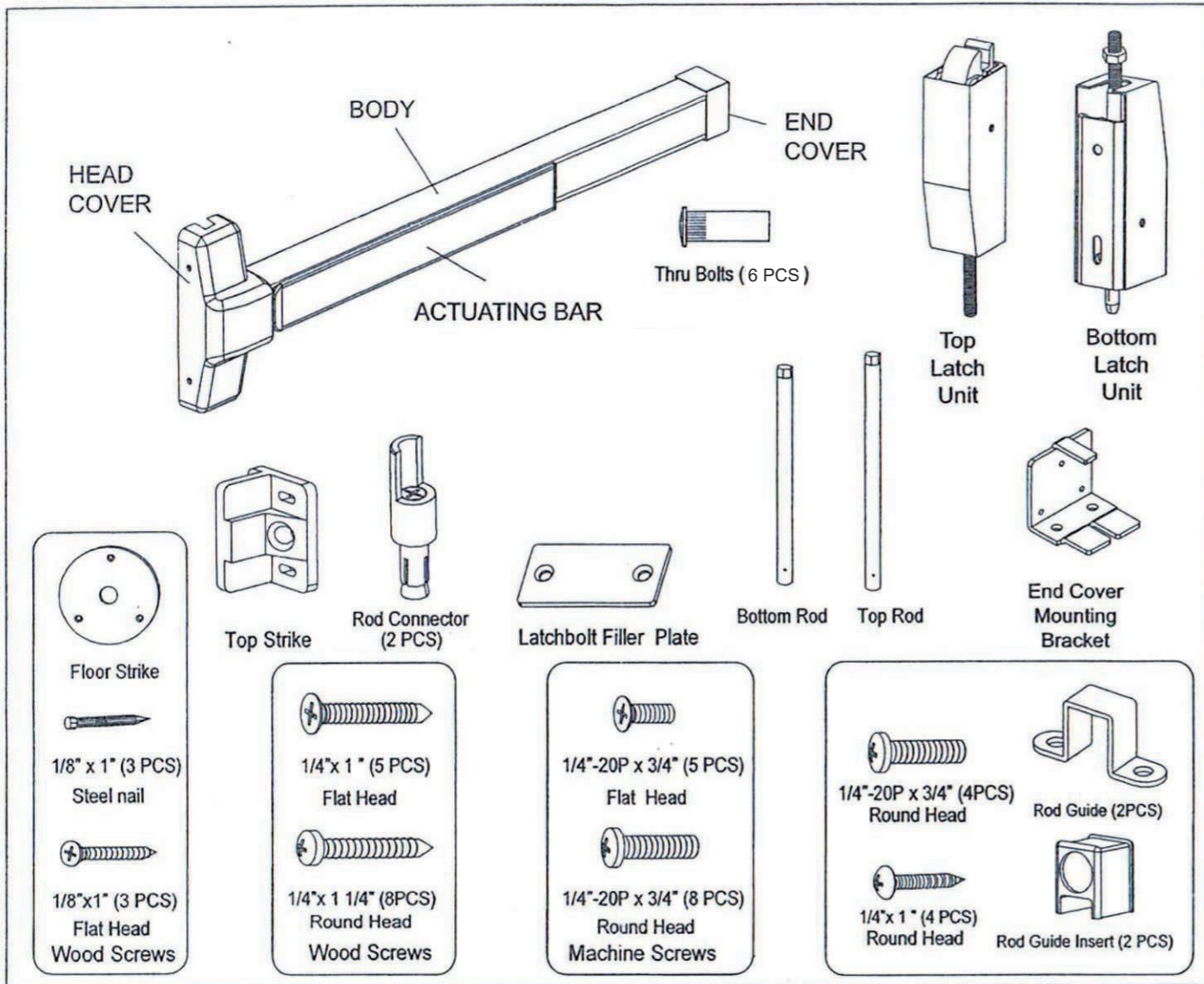
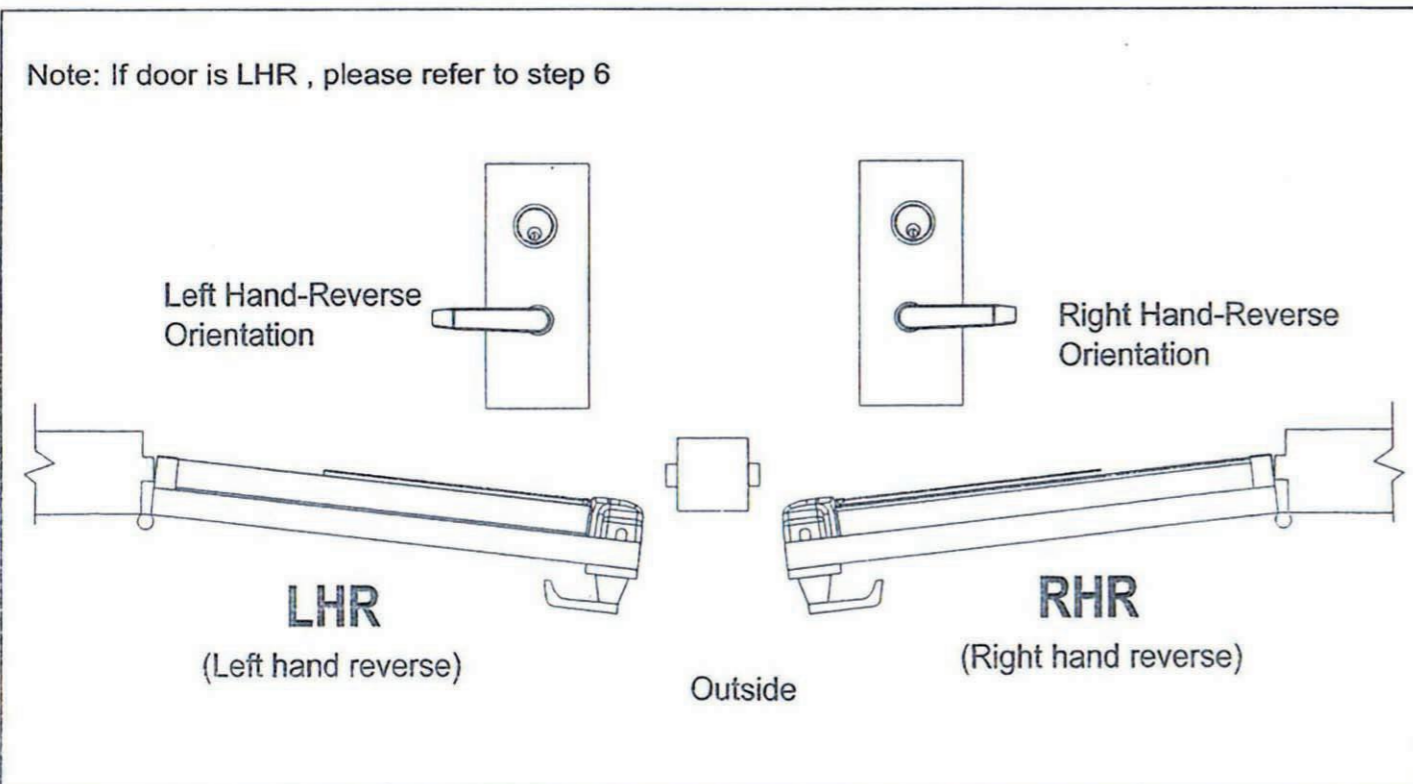


## PARTS IDENTIFICATION

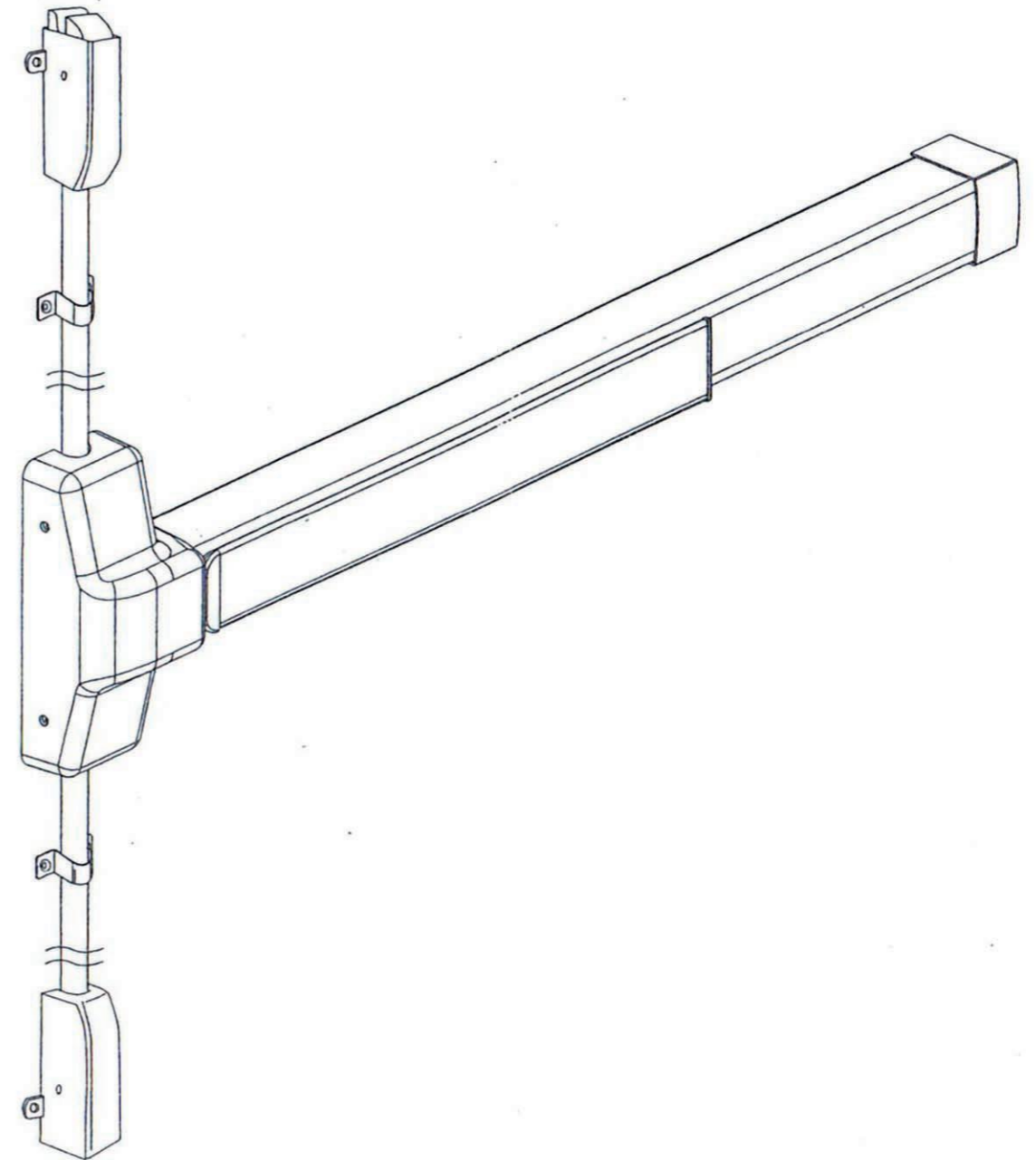


## DOOR HANDING



# T342H06 Series

## FIRE RATED EXIT DEVICE.



## INSTALLATION INSTRUCTIONS

**STEP 1 : MARK CENTER LINE ON DOOR**

1. Mark center line on inside of door .  
Establish the horizontal center line of the device by drawing a line across the door 40" above floor line.

**STEP 2 : MARK DOOR AND DRILL HOLES**

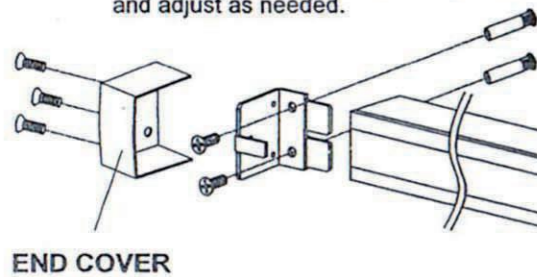
1. Fold and apply template (A) to edge of door and mark door as indicated on template (A).
2. Drill holes A X 6 in accordance with the diameters as indicated on template (A)

**STEP 3 : INSTALL DEVICE BODY**

1. Loosen screws and remove head cover and end cover.
2. Align holes on head assembly with the holes on the door and install mounting screws.

**STEP 4 : INSTALL TOP STRIKE**

1. Align vertical center line of top strike and top rod as shown on template (B)  
Mark door as indicated on template (B).
2. Install top strike with its mounting screws and adjust as needed.

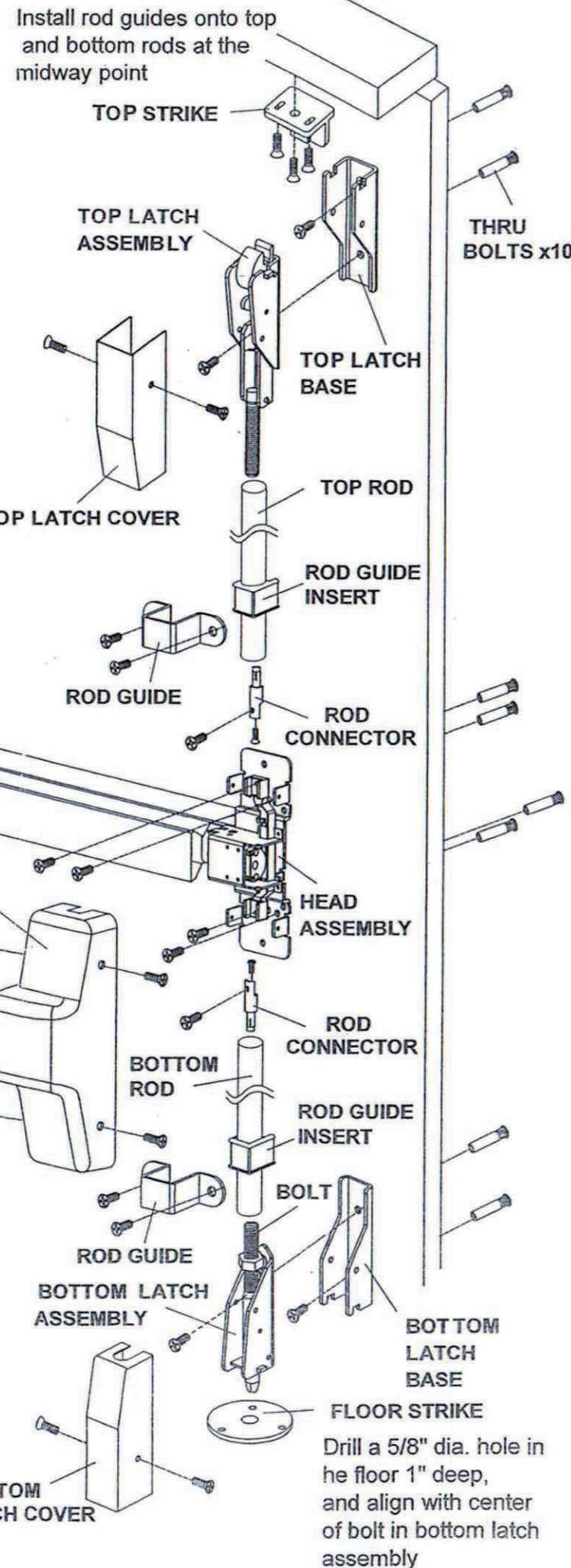


END COVER

HEAD COVER

**STEP 5 : INSTALL TOP LATCH UNIT**

1. Align vertical center line of top latch unit and top rod as shown on template(B)  
Mark door as indicated on template(B).
2. Drill hole D, 2" from bottom edge of door frame.
3. Align top latch base with hole D and install screw but do not tighten all the way.
4. Install top latch assembly into top latch base. Adjust the location of the top latch assembly and top latch base per Template B to get 3/32" space between top strike and inside of top latch.
5. Remove top latch assembly and tighten screw D.
6. Drill hole E, Reinstall top latch assembly into top latch base and tighten screw E.

**STEP 6 : DIRECTIONS FOR CHANGING HANDING OF DEVICE**

Handing of device is preset at factory for RHR. To change handing of device, follow steps shown below.

1. Loosen screws 'A' and remove screw 'B' and spring 'C'.
2. Reverse the positions of screw 'B' and spring 'C' and then tighten screw 'A'.
3. The device is now set for LHR.

**STEP 7 : INSTALL BOTTOM LATCH UNIT**

1. Align vertical center line of bottom latch unit and bottom rod as shown on template, Mark door as indicated on template (B).  
**CAUTION :** be sure the distance from the bottom edge of door to the bottom latch base is 13/32".
2. Drill hole C, 1 1/4" from bottom edge of door.
3. Align bottom latch base with hole C, adjust its location to have 13/32" between the bottom of the door and the bottom edge of the bottom latch base. Then tighten screw C.
4. Drill hole E, install bottom latch assembly into bottom latch base and tighten screw E.

**STEP 8 : INSTALL AND ADJUST TOP ROD (USE LONGER ROD)**

1. Keep the end of the top rod with the threaded hole upward to connect it with the threaded bolt (thread onto bolt approx. 1") in the top latch unit.
2. Put rod guide insert onto top rod.
3. Put rod connector into bottom unthreaded end of top rod and tighten screw to secure into rod.
4. Remove the screw on the head assembly, connect the bottom of rod connector with head assembly and reinstall screw but not tighten it all the way.
5. Push touch bar down to check operation. Cut off extra rod length to make top rod work properly. Then tighten screw all the way.  
**NOTE :** Top rod must be cut to correct length, leave 1" of adjustability for latch adjustment. Cut top rod at bottom end without threads. (DO NOT CUT END WITH THREADS)

**STEP 9 : INSTALL AND ADJUST BOTTOM ROD**

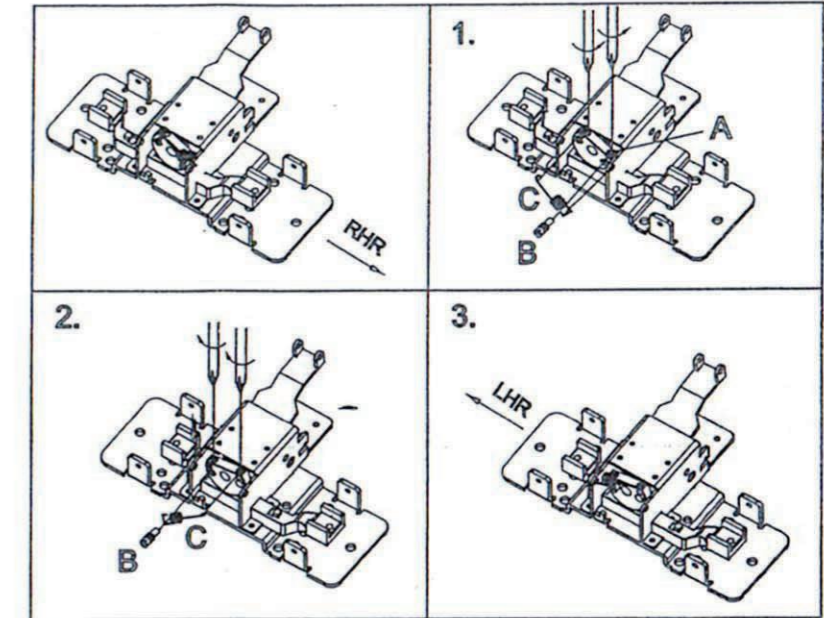
1. Keep the end of the bottom rod with the threaded hole downward to connect it with the threaded bolt (thread onto bolt approx. 1") in the bottom latch unit.
2. Put rod guide insert onto bottom rod.
3. Put rod connector into top unthreaded end of top rod and tighten screw to secure into rod.
4. Remove the screw on the head assembly, connect the bottom of rod connector with head assembly and reinstall screw and tighten.

**STEP 10 : INSTALL FLOOR STRIKE**

1. Let the bolt in the lower bottom latch unit touch the floor and mark on floor.
2. Drill a 5/8" dia, 1" deep hole and screw floor strike to the floor.

**STEP 11: TEST PUSH BAR**

1. The top latch unit should engage the top strike and the bottom latch unit should engage the floor strike when the door is closed. If the door can be pushed open without depressing the push bar, the top rod has been over adjusted. Readjust as needed for proper latching.

**DRAWING FOR STEP 6**

2. The top and bottom latch units should disengage from the strikes freely when the touchbar is depressed or dogged down. If they do not disengage, adjust the bolt in the bottom latch unit as needed and retest for proper operation.

**STEP 12 : INSTALL TWO ROD GUIDES**

1. Put rod guides onto top and bottom rods at the midway point and mark and drill holes.
2. Fit rod guide insert into rod guide and then install and tighten screws.

**STEP 13 : INSTALL 4 COVERS**

Install head cover, end cover, top latch cover, bottom latch cover and tighten screws.

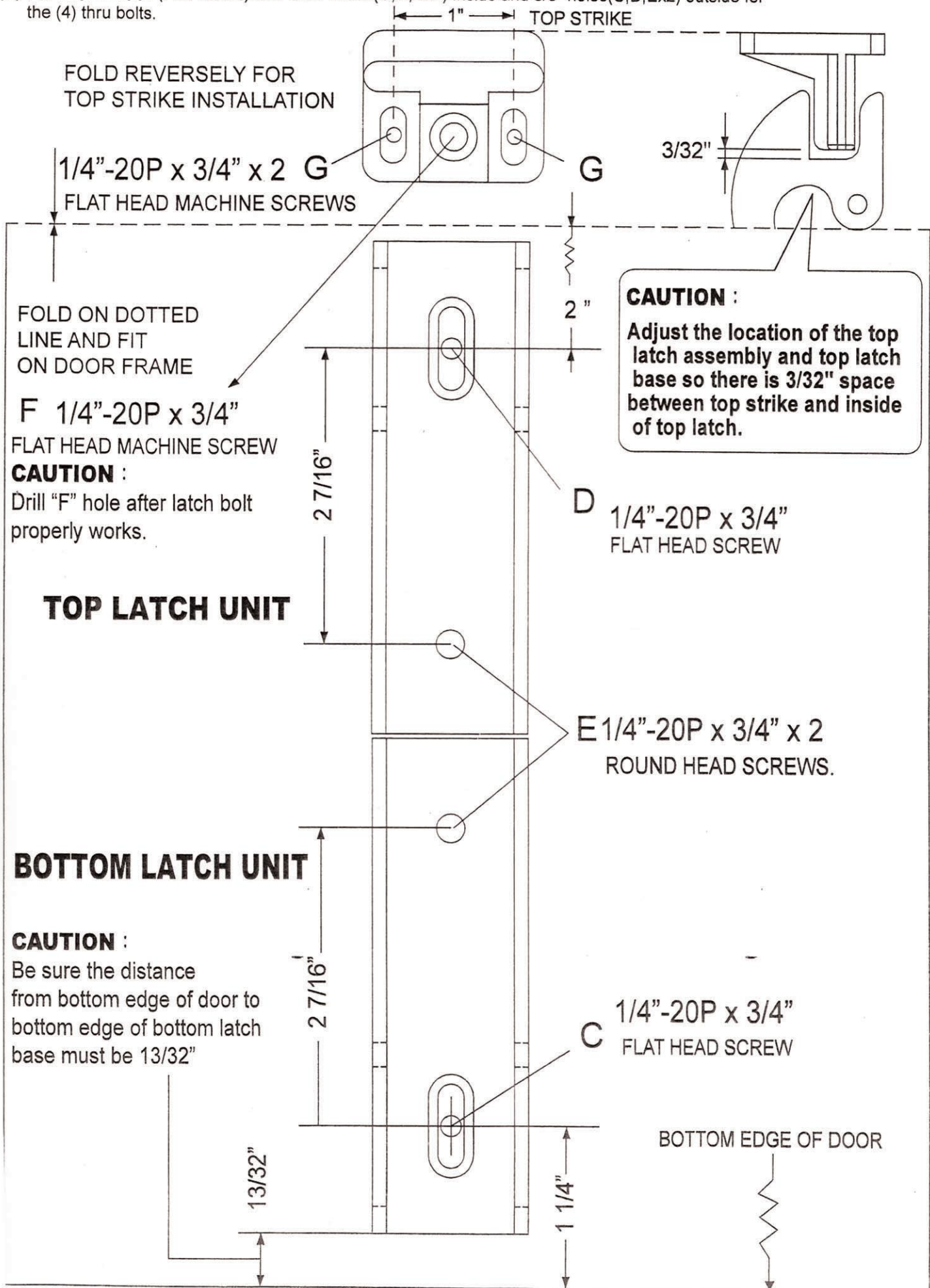
**STEP 14 : INSTALL SPRING BOLT & STRIKE PLATE**

1. If the door height is less than 87" then dimension D is 44" from floor.
2. If the door height is over 87" then dimension D will be half of the door height

# TEMPLATE(B)

2010.09A

- (A) For T342H07 (UL Listed)-drill & tap for (4) 1/4"-20P x 3/4" machine screws (C,D,Ex2) for exit device. drill (4) 7/32" pilot holes(C,D,Ex2) for self tapping machine screws or wood screws for exit device.
- (B) For T342H06 (Fire Rated)-drill 9/32" holes(C,D,Ex2) inside and 3/8" holes(C,D,Ex2) outside for the (4) thru bolts.

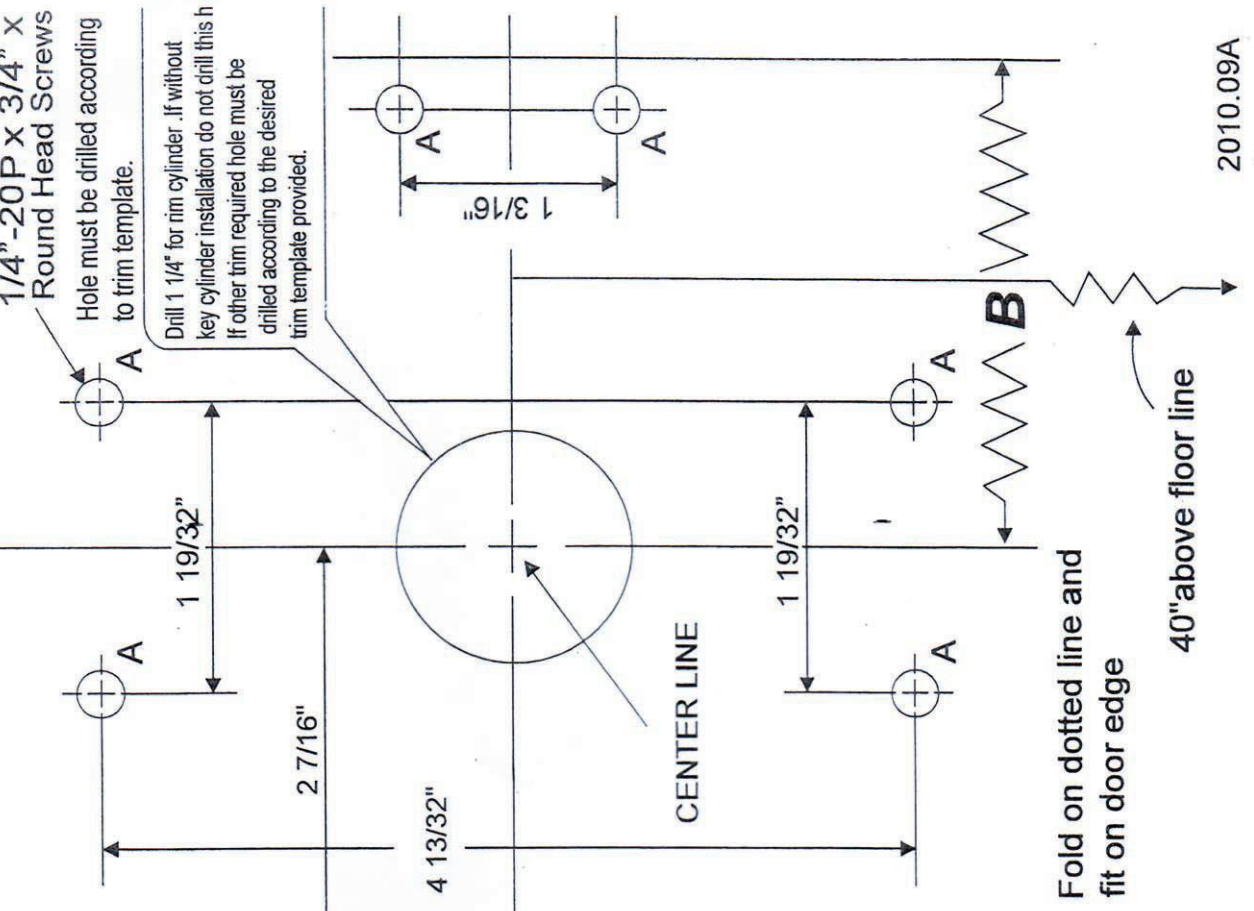


(A) For T342H07 (UL Listed)-Drill & tap for (6) 1/4"-20P x 3/4" machine screws for exit device.  
 Drill (6) 7/32" pilot holes for wood screws for exit device.

(B) For T342H06 (Fire Rated)-Drill 9/32" holes inside and 3/8" holes outside for the (6) thru bolts.

# TEMPLATE (A)

## FOR LEFT HAND DOOR INSTALLATION



## FOR RIGHT HAND DOOR INSTALLATION

