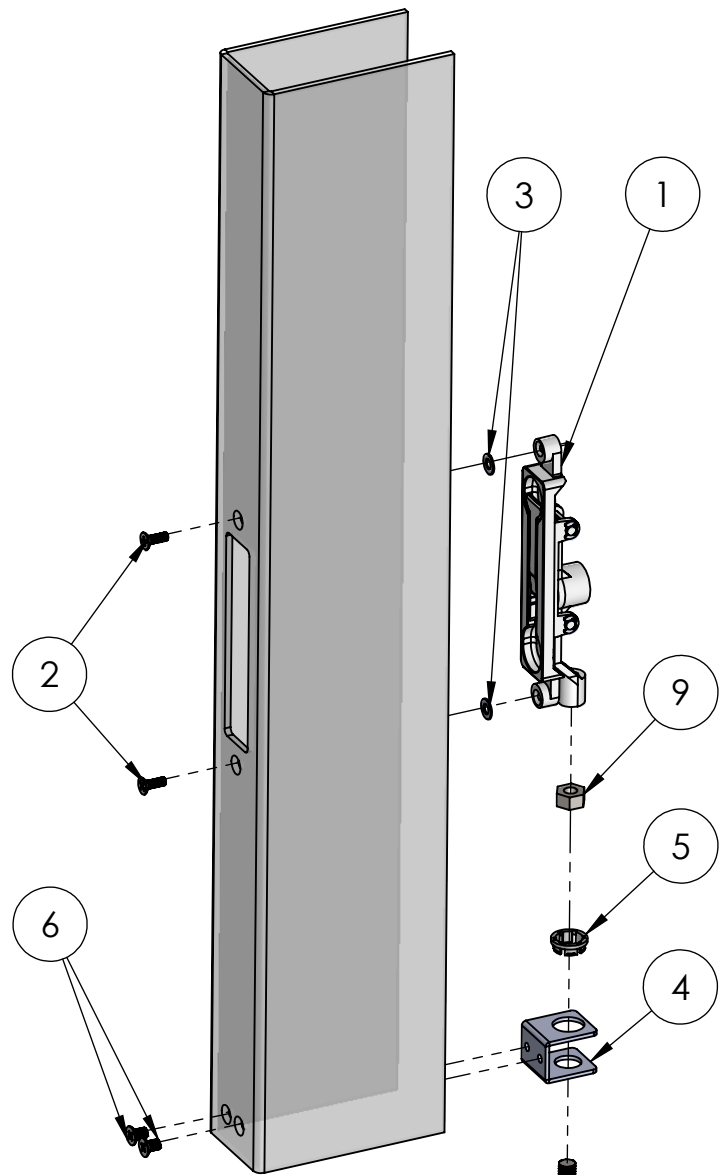


# T511 FLUSHBOLT (EXPLODED DIAGRAM)



\* ACCESSORIES SOLD SEPARATELY

13	SUPLEMENT STRIKE *	METAL SHEET SAE 1010 (1/16" & 1/32" THICKNESS)	BLUE ZINC PLATED	1+1
12	BOTTOM STRIKE CAP *	NYLON 6.6	BLACK	1
11	FIXING STRIKE WITH FRAME SCREW *	COMMERCIAL COUNTERSUNK HEAD PARKER #10 x 1/2" OR W5/32" x 1/2"	BLUE ZINC PLATED	3 + 3
10	STRIKE *	METAL SHEET SAE 1010	YELLOW ZINC PLATED	1
9	FIXING ROD WITH LOCK NUT *	COMMERCIAL W5/16"	BLUE ZINC PLATED	1
8	ROD (STD - 200mm LENGHT & EXTENSION - 910mm LENGHT) *	COMMERCIAL W5/16" THREADED ROD	BLUE ZINC PLATED	1
7	LOCKING BOLT *	SAE 1010 STEEL (Ø1/2")	BLUE ZINC PLATED	1
6	FIXING METAL SHEET ROD GUIDE WITH DOOR SCREW *	COMMERCIAL COUNTERSUNK HEAD M5 x 8	BLUE OR BLACK ZINC PLATED	2
5	GUIDE BUSHING *	NYLON 66	BLACK	1
4	METAL SHEET ROD GUIDE *	METAL SHEET SAE 1010	BLUE ZINC PLATED	1
3	FLUSHBOLT SPACING WASHER	METAL SHEET SAE 1040	YELLOW ZINC PLATED	2
2	FIXING FLUSHBOLT WITH DOOR SCREW	COMMERCIAL COUNTERSUNK HEAD W5/32" x 1/2"	BLUE OR BLACK ZINC PLATED	2
1	FLUSHBOLT	ZAMAK 5	ELECTROSTATIC PAINTING	1
ELEMENT No.	PART. NAME	MATERIAL	FINISH	QTY

## BILL OF MATERIAL (BOM)

